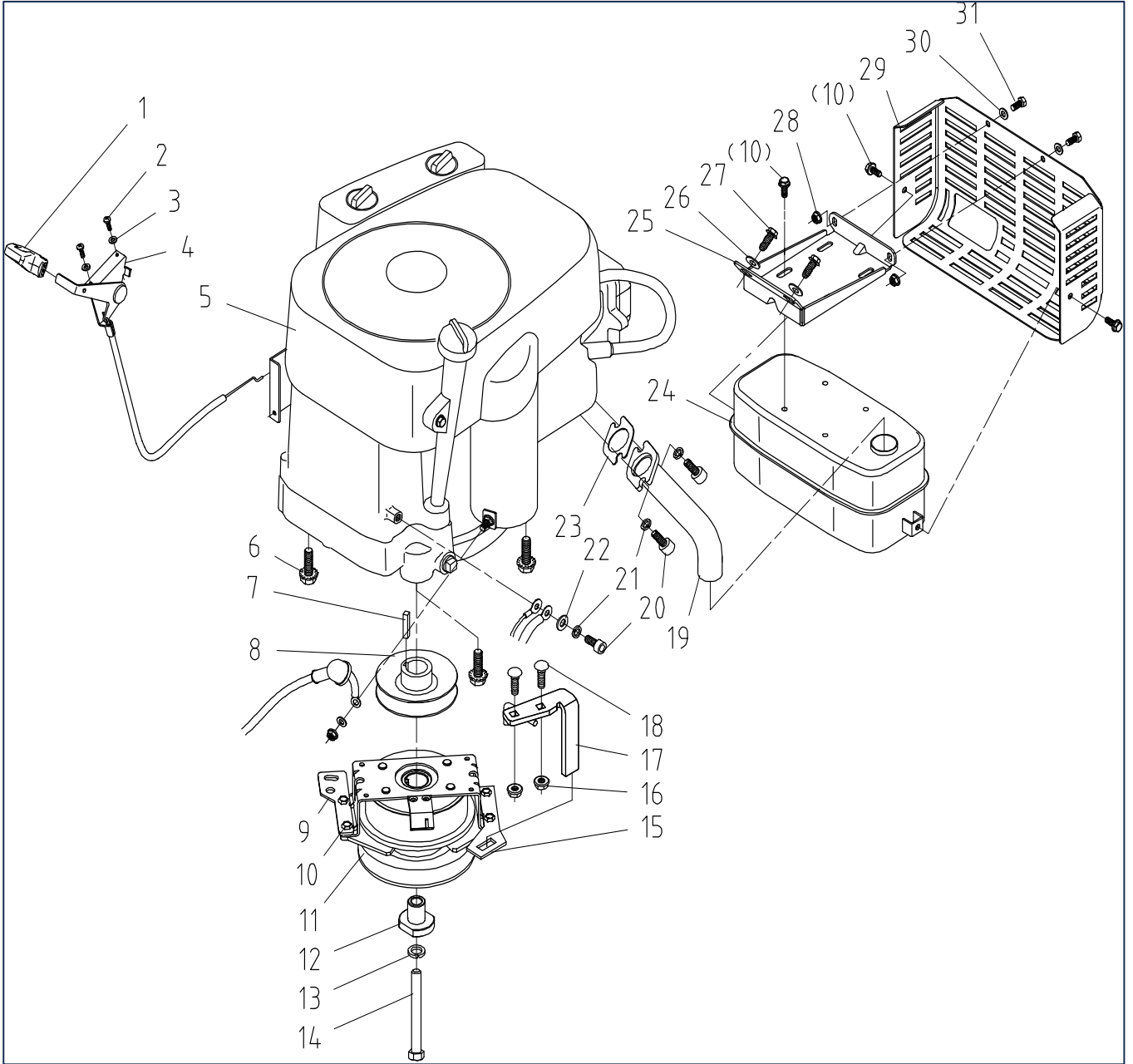


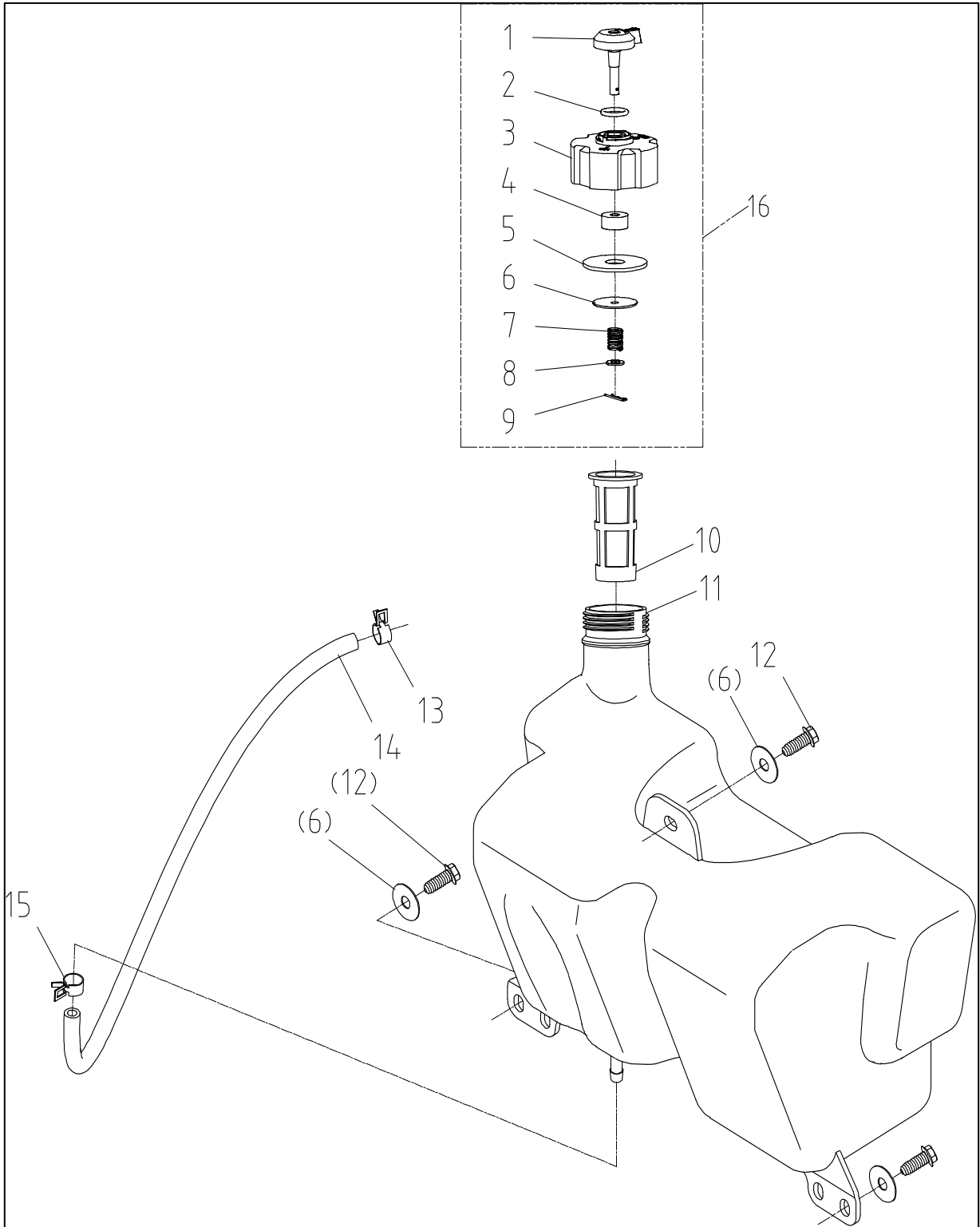
Model: Premium TTS98

Part Number: 90063135

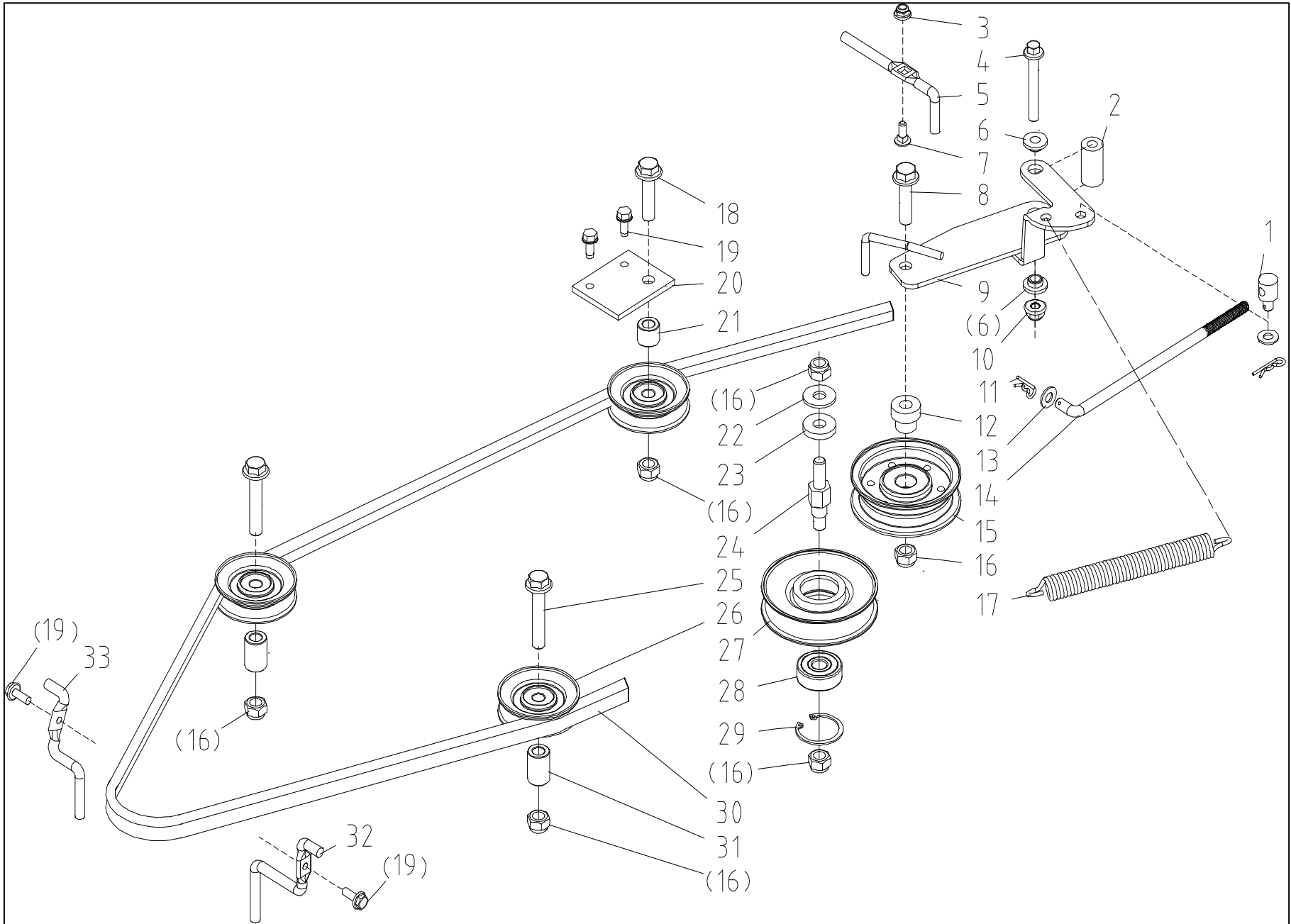
Year: 2023



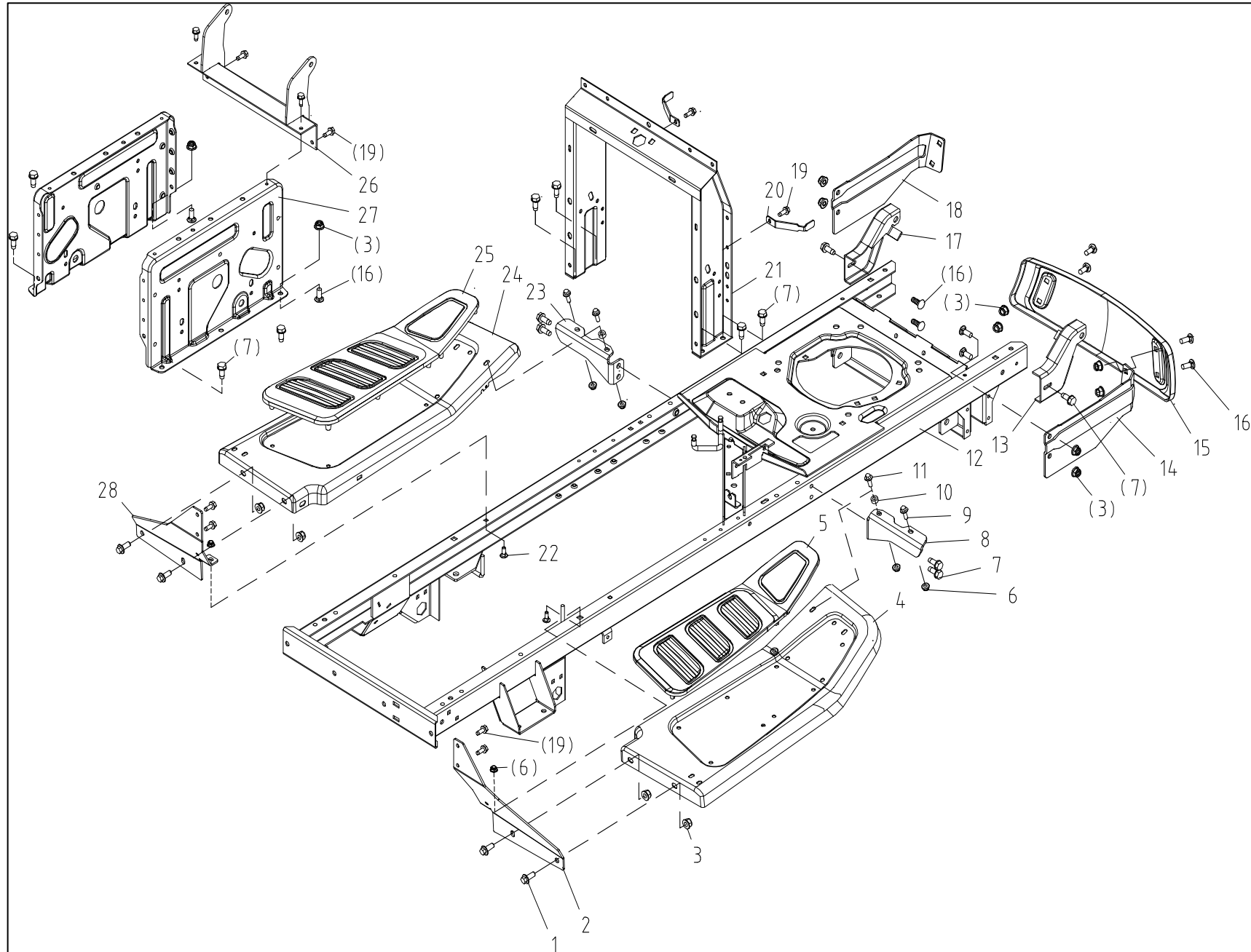
POS	QTY	PARTNUMBER	BESKRIVELSE	DESCRIPTION
1	1	451633	CHOKERHÅNDTAG	CHOKE KNOB
2	2	449498	SKRUE M4X16	SCREW M4×16
3	2	436590	SKIVE M10	WASHER
4	1	436571	GASKABEL MED REGULATOR	THROTTLE CABLE
5	1	LC1P90F-1	LC1P90F-1/432 CC	LC1P90F-1/432 CC
6	4	449499	BOLT 3/8"-16-1 1/4"	"TAPPING SCREW 3/8""-16-1 1/4""
7	1	439442	NOT	FLAT KEY 6.35×30
8	1	452517	REMSKIVE	ENGINE PULLEY WELDMENT
9	1	452518	HOLDER	SUPPORT
10	10	451640	BOLT M6X16	TAPPING SCREWM6*16
11	1	451634	ELEKTRISK KOBLING	ELECTRIC CLUTCH
12	1	451635	KOBLINGS BØS	CLUTCH STEP BUSHING
13	1	439445	FJEDERSKIVE 7/16"	"SPRING WASHER 7/16""
14	1	436589	KNIVBOLT	BOLT 3/8-24UNF
15	1	451636	KOBLINGSBESLAG	CLUTCH CLAMP PLATE
16	2	449501	LÅSEMØTRIK M8	FLANGE LOCK NUT M6
17	1	451637	KOBLINGSSKÆRM	CLUTCH BAFFLE WELDMENT (SMALL BIN)
18	2	439472	BOLT M8X20	BOLT M8×20
19	1	439448	UDSTØDNINGRØR	EXHAUST PIPE
20	3	439446	SKRUE 5/16"-18-3/4"	" SCREW 5/16""-18 -3/4""
21	3	439445	FJEDERSKIVE 7/16"	"SPRING WASHER 7/16""
22	1	436590	SKIVE M10	WASHER
23	1	439447	PAKNING	GASKET
24	1	439471	UDSTØDNING	MUFFLE
25	1	451641	BESLAG	BRACKET
26	2	439465	SKIVE 10	BIG WASHER 6
27	2	451616	FLANGEBOLT M5X16-18TX3/4	FLANGE BOLT5/16-18TX3/4
28	2	452519	LÅSEMØTRIK M6	FLANGE LOCK NUT M6
29	1	439467	SKJOLD	FRONT SHIELD
30	2	439465	SKIVE 10	BIG WASHER 6
31	2	439462	BOLT M8X16	BOLT M8×16



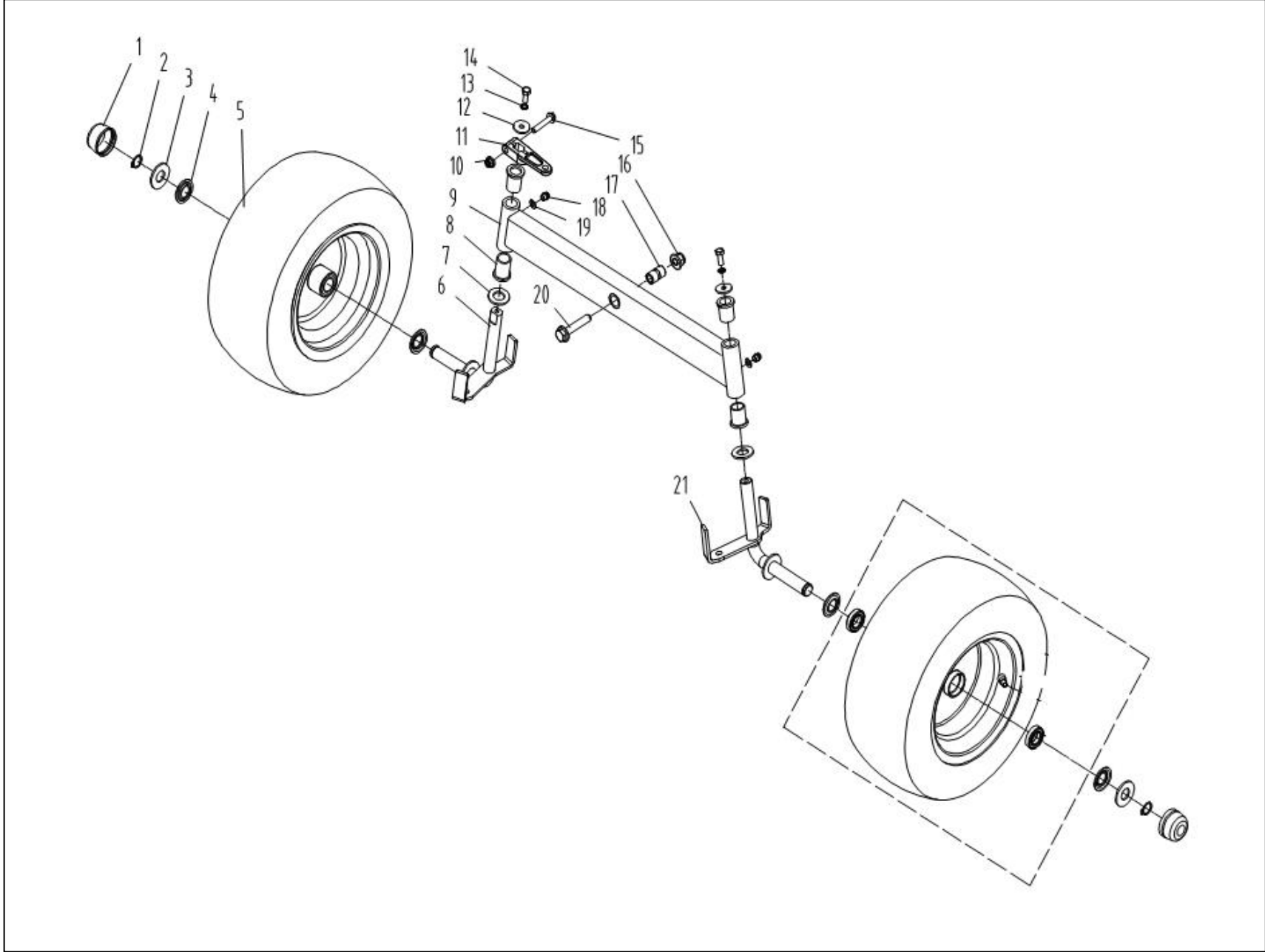
POS	QTY	PARTNUMBER	BESKRIVELSE	DESCRIPTION
1	1	439449	VENTIL	FUEL TANK CAP LEVER
2	1	439450	GUMMIRING	O RING
3	1	439451	TANKDÆKSEL	FUEL TANK CAP
4	1	439452	FILTER	FUEL TANK CAP FILTER
5	1	439453	PAKNING	FUEL TANK CAP SEAL
6	4	439454	TANKPAKNING 6X25X1.5	GASKET 6×25×1.5
7	1	439455	FJEDER	FUEL TANK CAP SPRING
8	1	436590	SKIVE M10	WASHER
9	1	439456	SPLIT	SPLIT PIN
10	1	436572	BENZINFILTER	FILTER CAP
11	1	439457	BRÆNDSTOFTANK	FUEL TANK
12	3	451640	BOLT M6X16	TAPPING SCREWM6*16
13	1	439458	KLEMME	CLIP 10
14	1	439459	BRÆNDSTOFSLANGE	FUEL HOSE
15	1	449502	KLEMME	CLIP ?10
16	1	451018	TANKLÅG KPL.	FUEL CAP ASSY



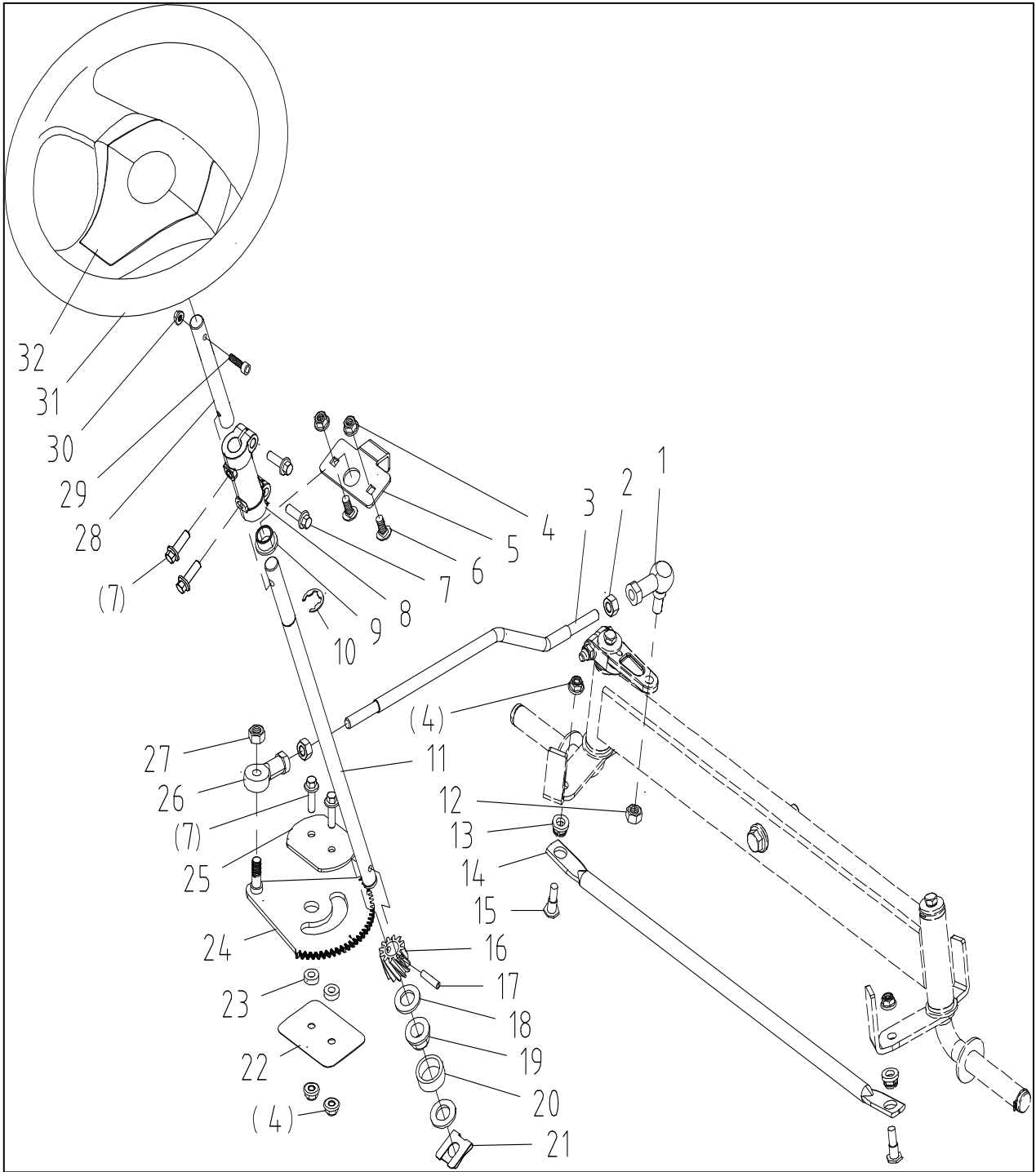
POS	QTY	PARTNUMBER	BESKRIVELSE	DESCRIPTION
1	1	439485	GEVINDTAP	GEAR SHIFT PIN
2	1	451644	BØS	SPACER $\phi 8 \times \phi 18 \times 33$
3	1	449501	LÅSEMØTRIK M8	FLANGE LOCK NUT M6
4	1	449506	BOLT M10X1.25X40	" FLANGE BOLT M10×1.25×40
5	1	452520	DRIVARM	LEFT FRONT BELT GUIDE
6	2	451643	SKIVE Ø8X18X33	BUSHING
7	1	439472	BOLT M8X20	BOLT M8×20
8	1	449506	BOLT M10X1.25X40	" FLANGE BOLT M10×1.25×40
9	1	451645	DRIVARM	DRIVING TENTION ARM WELDMENT
10	1	449503	MØTRIK M8	FLANGE NUT M6
11	2	439478	FJEDERSPLIT	COTTER PIN
12	1	439487	BØS	TENTION PULLEY BUSHING
13	2	436590	SKIVE M10	WASHER
14	1	452521	STANG	LINKED PUTTER
15	1	436575	REMSKIVE	TENSION PULLEY
16	6	439481	LÅSEMØTRIK M10X1.25	LOCK NUT M10×1.25
17	1	436576	FJEDER	SPRING
18	1	449506	BOLT M10X1.25X40	" FLANGE BOLT M10×1.25×40
19	4	451640	BOLT M6X16	TAPPING SCREWM6*16
20	1	452522	PLADE	GUIDE PULLEY BASE PLATE
21	1	452523	KRAVE	LEFT FRONT GUIDE PULLEY CUSHION SLEEVE
22	1	439465	SKIVE 10	BIG WASHER 6
23	1	451647	SKIVE Ø27X10X5,5	WASHER $\phi 27 \times \phi 10.5 \times 5$
24	1	451646	BOLT	BOLT
25	2	449506	BOLT M10X1.25X40	" FLANGE BOLT M10×1.25×40
26	3	440468	REMHJUL	IDLER PULLEY
27	1	436574	REMSKIVE	TENSION PULLEY
28	1	436583	LEJE 6203-2RZ	BEARING 61904-2RZ
29	1	439480	LÅSERING 37	SNAP RING 37
30	1	452524	REM	V BELT LG4-1050 HA2645
31	2	451649	BØS	GUIDE PULLEY CUSHION SLEEVE
32	1	452525	ARM HØJRE	RIGHT BELT GUIDE
33	1	452526	ARM VENSTRE	LEFT BELT GUIDE



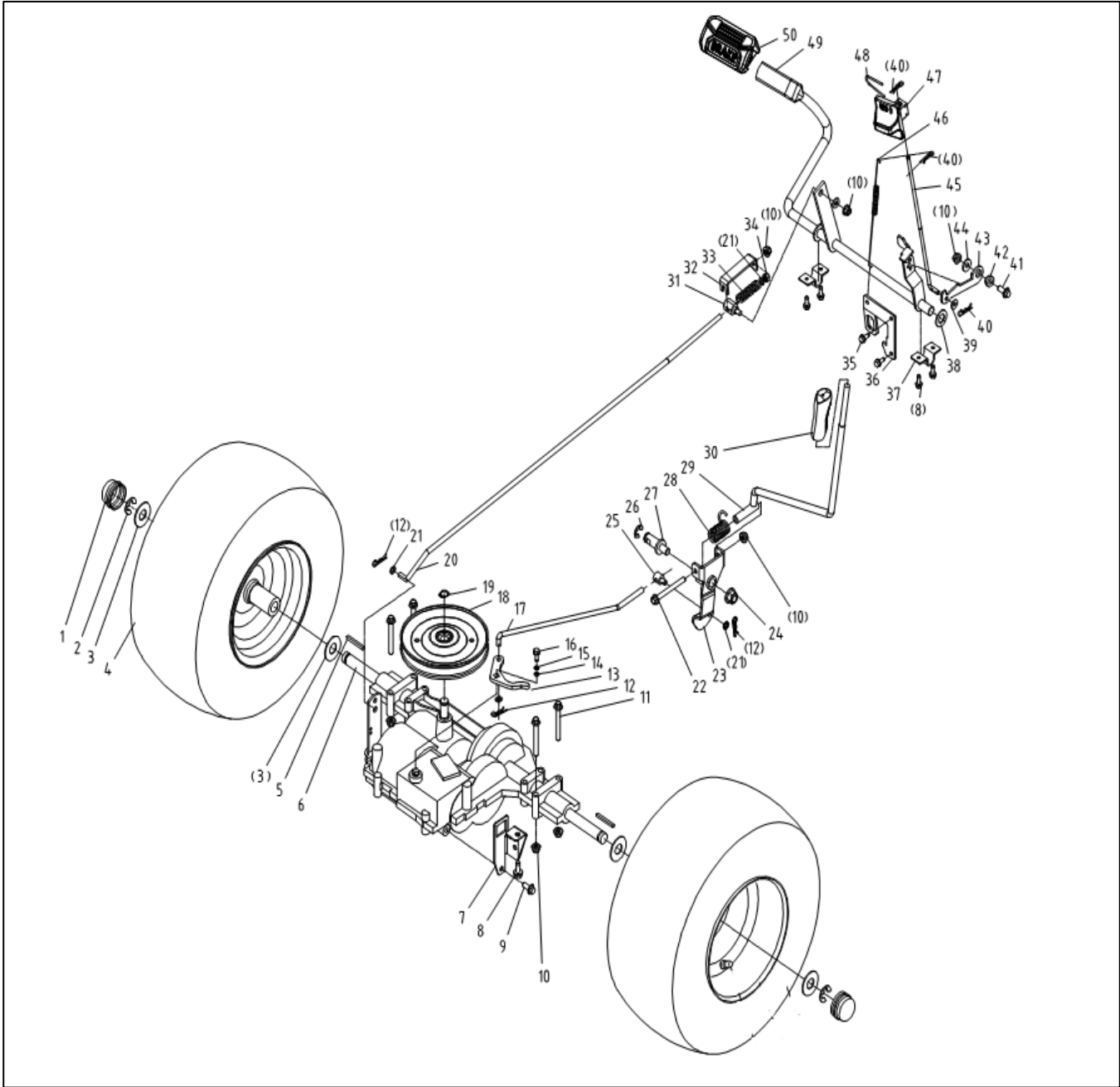
POS	QTY	PARTNUMBER	BESKRIVELSE	DESCRIPTION
1	4	449511	BOLT M6X16	FLANGE BOLT M10×1.25×25
2	1	451651	BESLAG	RIGHT PEDAL HANGER
3	14	449501	LÅSEMØTRIK M8	FLANGE LOCK NUT M6
4	1	451652	FODPLADE HØJRE	RIGHT PEDAL
5	1	451653	GUMMI MÅTTE HØJRE	RIGHT FOOT PAD
6	6	449501	LÅSEMØTRIK M8	FLANGE LOCK NUT M6
7	14	451616	FLANGEBOLT M5X16-18TX3/4	FLANGE BOLT5/16-18TX3/4
8	1	451654	BESLAG FOR PEDAL HØJRE	PEDAL FRONT SUPPORT RIGHT
9	2	439441	BOLT M8X45	FLANGE BOLT M10×1.5×35
10	2	439518	BØS	BUSHING
11	2	449511	BOLT M6X16	FLANGE BOLT M10×1.25×25
12	1	451655	RAMME	CHASIS
13	1	451656	BESLAG	ENGINE COVER BRACKET RIGHT
14	1	451657	BESLAG FOR KOFANGER HØJRE	RIGHT BAMPER ROD
15	1	451658	KOFANGER	BAMPER
16	10	439472	BOLT M8X20	BOLT M8×20
17	1	451659	BESLAG	ENGINE COVER BRACKET LEFT
18	1	451660	BESLAG FOR KOFANGER VENSTRE	LEFT BAMPER ROD
19	10	451640	BOLT M6X16	TAPPING SCREWM6*16
20	2	451661	BESLAG	STEERING
21	1	451662	BESLAG	STEERING BRACKET
22	2	439472	BOLT M8X20	BOLT M8×20
23	1	451663	BESLAG	PEDAL FRONT SUPPORT LEFT
24	1	451664	FODPLADE VENSTRE	LEFT PEDAL
25	1	451665	GUMMIMÅTTE VENSTRE	LEFT FOOT PAD
26	1	451666	BESLAG	SEAT FRONT BEAM WELDMENT
27	2	451667	SIDEPLADE	SIDE PLATE
28	1	451668	PEDALOPHÆNG	LEFT PEDAL HANGER



POS	QTY	PARTNUMBER	BESKRIVELSE	DESCRIPTION
1	2	439521	NAVKAPSEL	HUB COVER
2	2	436587	SEEGERRING Ø24	SNAP RING 19
3	2	439522	SKIVE 20X43X3	WASHER 20x43x3
4	4	439523	SKIVE	WASHER
5	2	436582	FORHJUL KOMPLET	FRONT WHEEL ASSEMBLY
6	1	451682	HJULGAFFEL VENSTRE	FRONT AXLE RH
7	2	436590	SKIVE M8	WASHER
8	4	439525	BØS	BUSHING
9	1	451683	FORBRO	FRONT AXLE WELDMENT
10	1	449501	LÅSEMØTRIK M8	FLANGE LOCK NUT M6
11	1	449513	BESLAG	TURNING ARM
12	2	440881	SKIVE	WASHER
13	2	439440	FJEDERSKIVE 10	SPRING WASHER 10
14	2	439462	BOLT M8X16	BOLT M8x16
15	1	439441	BOLT M8X45	FLANGE BOLT M10x1.5x35
16	1	439474	AFSTANDSSTYKKE	FLANGE LOCK NUT M10x1.25
17	1	451684	FORRØR	LINER TUBE
18	2	439498	SMØRENIPPEL	OIL INJECTION NOZZLE
19	2	436590	SKIVE M8	WASHER
20	1	440954	BOLT M6X20	HEXGON BOLT M6X20
21	1	451685	HJULGAFFEL HØJRE	FRONT AXLE LH

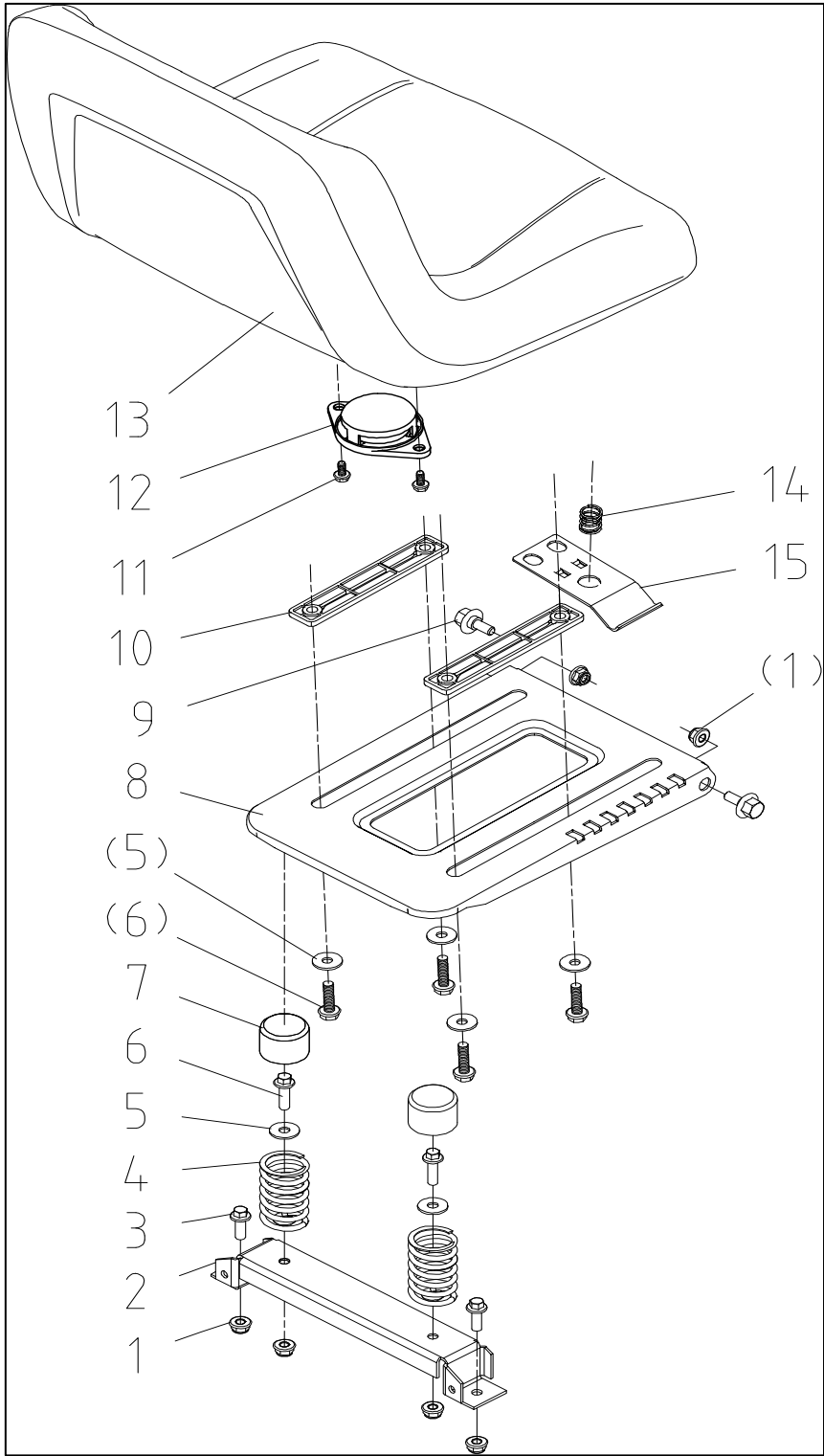


POS	QTY	PARTNUMBER	BESKRIVELSE	DESCRIPTION
1	1	451686	KARDANLED	JOINT BEARING M10
2	2	449512	MØTRIK M8	NUT M8
3	1	451687	FORBINDELSESSTANG	STEERING DRAG ROD
4	6	449501	LÅSEMØTRIK M8	FLANGE LOCK NUT M6
5	1	451688	PLADE MED FIRKANTET HUL	SQUARE HOLE CARD BOARD
6	2	439472	BOLT M8X20	BOLT M8×20
7	6	439441	BOLT M8X45	FLANGE BOLT M10×1.5×35
8	1	451689	SAMLE BESLAG	COUPLINGS
9	1	451690	BØS	HATCH BUSHING
10	1	436587	SEEGERRING Ø24	SNAP RING 19
11	1	451691	RATSTAMME	STEERING COLUMN
12	1	439544	LÅSEMØTRIK M10	LOCK NUT M10
13	2	451692	GUMMIBØS	ELASTIC RUBBER BUSH
14	1	451693	STYRESTANG	STEERING TIE ROD
15	2	451694	PINBOLT M8X28	PIN SCREW M8×28
16	1	451695	GEAR TANDHJUL TIL RATSTAMME	STEERING GEAR LEFT
17	1	439549	SPLIT 6X26	PIN 6×26
18	2	436590	SKIVE M10	WASHER
19	1	439553	BØSNING	HEXAGON BUSHING
20	1	439552	BØS	BUSHING
21	1	451696	LÅSERING 16	SNAP RING 16
22	1	449518	BOLT M8X45	TIE PLATE
23	2	439550	BØS	BUSHING
24	1	451697	STYREPLADE	STEERING GEAR PLATE WELDMENT
25	1	439547	BESLAG	DOUBLE HOLE BOARD
26	1	439542	FORBINDELSESLED	JOINT BEARING SIJK10C
27	1	439481	LÅSEMØTRIK M10X1.25	LOCK NUT M10×1.25
28	1	452527	RATSTAMME	STEERING WHEEL ROD B
29	1	439492	SKRUE M6X20	SCREW M6×20
30	1	449501	LÅSEMØTRIK M8	FLANGE LOCK NUT M6
31	1	439559	RAT	STEERING WHEEL
32	1	439560	DÆKSEL FOR RAT	STEERING WHEEL CAP

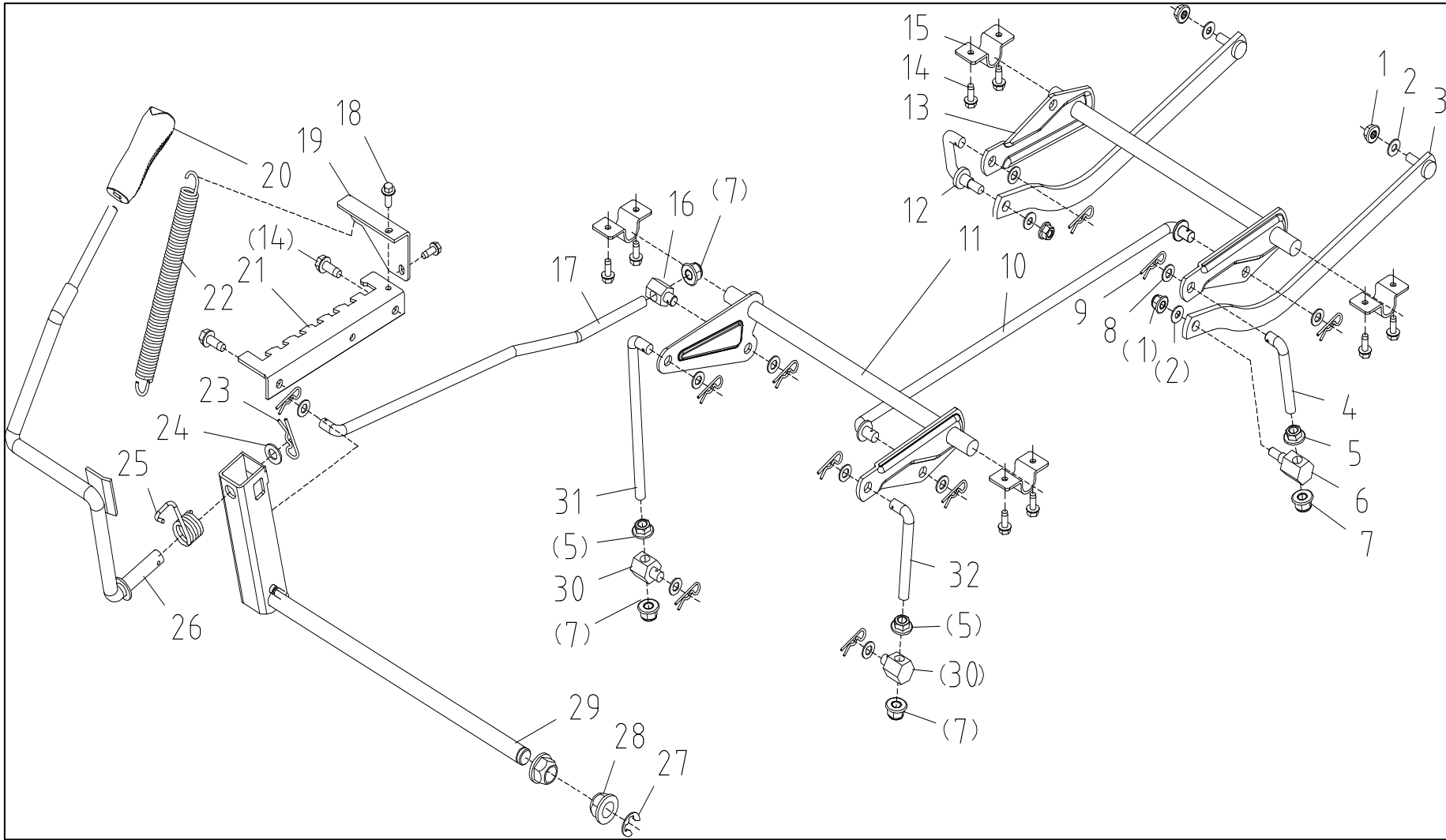


POS	QTY	PARTNUMBER	BESKRIVELSE	DESCRIPTION
1	2	439521	NAVKAPSEL	HUB COVER
2	2	439532	LÅSERING 8	RETAINER RING 15
3	4	439522	SKIVE 20X43X3	WASHER 20x43x3
4	2	436584	BAGHJUL	REAR WHEEL ASSEMBLY
5	2	439535	NOT 4.75X7.75X60	FLAT KEY 4.75x 4.75x60
6	1	452528	GEARBOX	GEAR BOX
7	1	452529	FORBINDELSSESLED	GEAR BOX CONNECTING PLATE
8	5	451616	FLANGEBOLT M5X16-18TX3/4	FLANGE BOLT5/16-18TX3/4
9	1	449511	BOLT M6X16	FLANGE BOLT M10x1.25x25
10	8	449501	LÅSEMØTRIK M8	FLANGE LOCK NUT M6
11	4	449511	BOLT M6X16	FLANGE BOLT M10x1.25x25
12	3	439478	FJEDERSPLIT	COTTER PIN
13	1	452530	GEARARM	GEAR SHIFT ARM
14	1	439465	SKIVE 10	BIG WASHER 6
15	1	439440	FJEDERSKIVE 10	SPRING WASHER 10
16	1	439537	BOLT 1/4"-28-3/4"	BOLT 1/4"-28 -3/4"
17	1	452531	GEARSTANG	GEAR SHIFT ROD
18	1	439536	REMHJUL	DRIVING PASSIVE WHEEL
19	1	436587	SEEGERRING Ø24	SNAP RING 19
20	1	452532	BREMSESTANG	BRAKE LEVEL
21	3	436590	SKIVE M10	WASHER
22	1	452533	FLANGEBOLT M8X80	FLANGE BOLT M8X80
23	1	452534	GEARDEL	GEAR SHIFT LEVER WELDMENT
24	1	439474	AFSTANDSSTYKKE	FLANGE LOCK NUT M10x1.25
25	1	439485	GEVINDTAP	GEAR SHIFT PIN
26	1	452535	LÅSERING 12	SNAP RING 12
27	1	452536	AKSEL GEARSKIFTE	GEAR SHIFT AXLE PIN
28	1	452537	FJEDER Ø3.5*Ø20	SPRING Ø3.5*Ø20
29	1	452538	GEARSKIFTE ARM	GEAR SHIFT LEVER WELDMENT
30	1	439503	GREB	HANDLE
31	1	452539	STIFT	PIN
32	1	452540	JUSTERSTYKKE	GROOVE ADJUSTING PLATE
33	1	452541	FJEDER 2.5X14	SPRING $\phi 2.5 \times \phi 14$
34	1	449512	MØTRIK M8	NUT M8
35	2	451640	BOLT M6X16	TAPPING SCREWM6*16
36	1	452542	BESLAG	BRAK SWITCH SERT PLATE
37	2	451712	BESLAG	U-SHAPED CLAMP
38	1	436590	SKIVE M10	WASHER
39	1	436590	SKIVE M10	WASHER
40	3	449510	FJEDERSPLIT	SPRING PIN
41	1	449511	BOLT M6X16	FLANGE BOLT M10x1.25x25
42	1	452543	TRINDÆKSEL	STEP COVER
43	1	452544	PARKERINGSKROG	PARKING HOOK
44	1	452545	SKIVE 8	BIG WASHER 8
45	1	452546	BREMSE	DRAG LINK,BRAKE PARKING
46	1	436602	FJEDER	CLUTCH LEVER SPRING
47	1	451718	BREMSE HÅNDTAG	BRAKE HANDLE
48	1	451719	STIFT U-FORMET	U BOLT

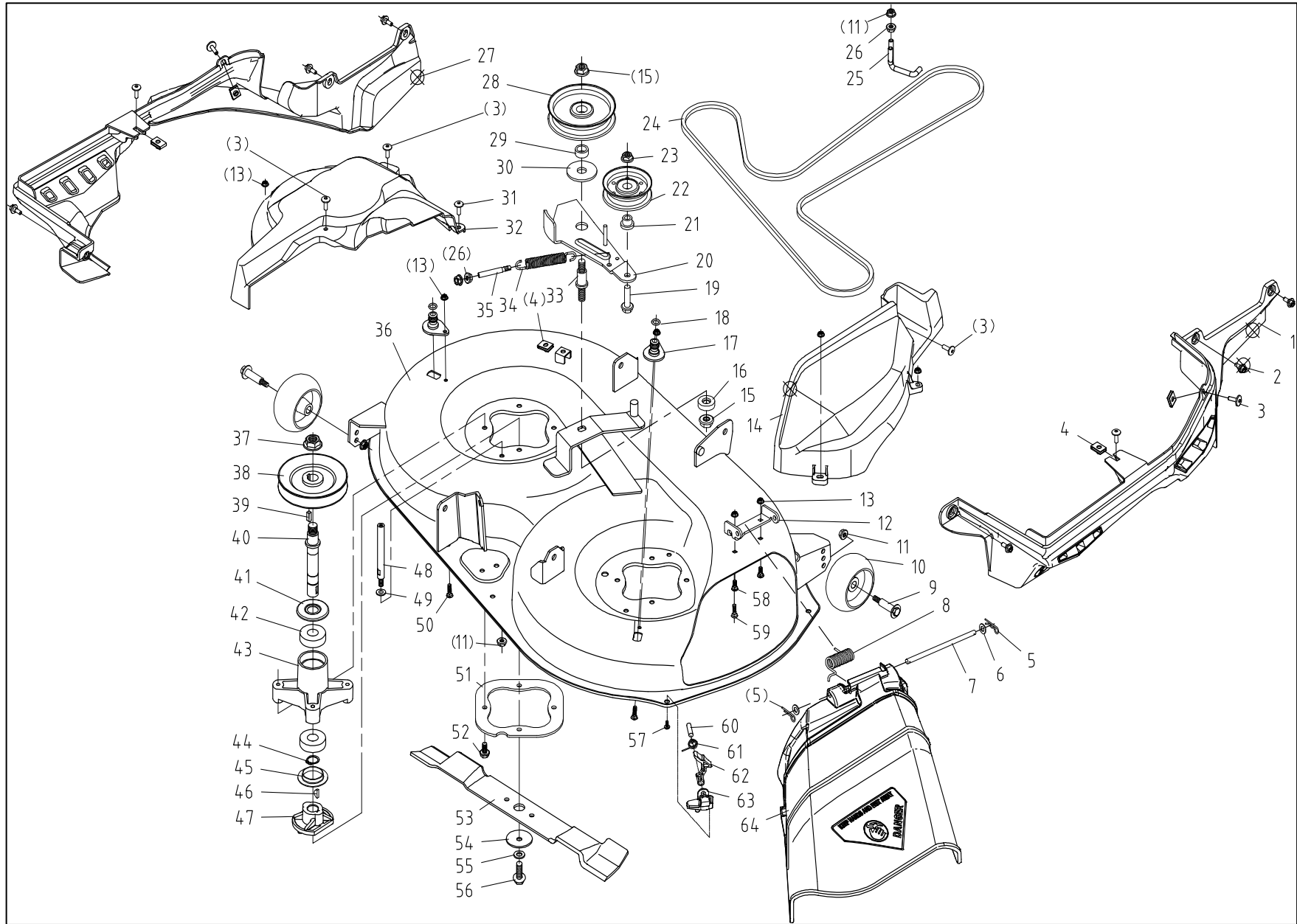
POS	QTY	PARTNUMBER	BESKRIVELSE	DESCRIPTION
49	1	452547	BREMSEPEDAL	BRAKE FOOT BAR WELDMENT(MANUAL)
50	1	451721	GUMMI BESLAG TIL BREMSEPEDAL	BRAKE PEDAL



POS	QTY	PARTNUMBER	BESKRIVELSE	DESCRIPTION
1	6	449501	LÅSEMØTRIK M8	FLANGE LOCK NUT M6
2	1	451722	BESLAG FOR SÆDE	SEAT BACK BEAM
3	4	449511	BOLT M6X16	FLANGE BOLT M10×1.25×25
4	2	439572	FJEDER	SEAT SPRING
5	6	439465	SKIVE 10	BIG WASHER 6
6	6	449511	BOLT M6X16	FLANGE BOLT M10×1.25×25
7	2	439573	PROP	SPRING CAP
8	1	452548	SÆDEBESLAG	JUSTABLE SEAT BASE PLATE
9	2	452549	SKRUE	SEAT SCREWS
10	2	452550	SÆDESTRIMMEL	SEAT CUSHION STRIP
11	2	451640	BOLT M6X16	TAPPING SCREWM6*16
12	1	452551	SÆDE KONTAKT	SEAT SWITCH COMPONENTS
13	1	439575	SÆDE	SEAT
14	1	452552	FJEDER	SPRING?1.5×?16
15	1	452553	PLADE FOR SÆDEJUSTERING	SEAT ADJUSTMENT PLATE

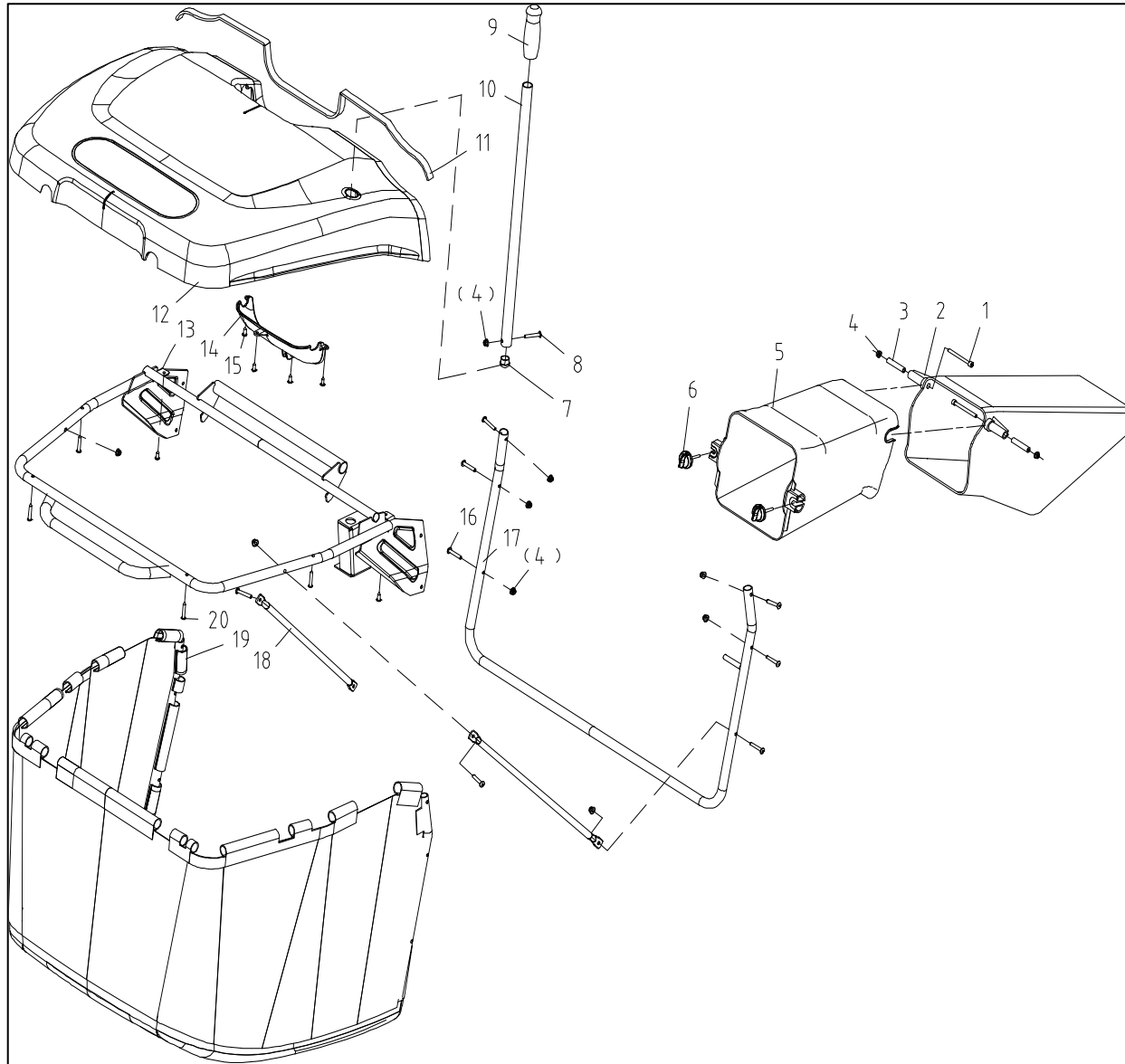


POS	QTY	PARTNUMBER	BESKRIVELSE	DESCRIPTION
1	4	449501	LÅSEMØTRIK M8	FLANGE LOCK NUT M6
2	4	439465	SKIVE 10	BIG WASHER 6
3	2	451728	FRONT BESLAG (STIVER)	FRONT STAY BAR WELDMENT
4	1	451729	STØTTE BESLAG FORREST	FRONT RIGHT DERRICK
5	3	439488	MØTRIK M10X1.25	" FLANGE NUT M10×1.25
6	1	451730	JUSTERINGS BOLT	PIN
7	4	439474	AFSTANDSSTYKKE	FLANGE LOCK NUT M10×1.25
8	10	436590	SKIVE M10	WASHER
9	10	439478	FJEDERSPLIT	COTTER PIN
10	1	452554	LØFTESTANG	LIFTING LINK ROD WELDMENT(SIDE ROW)
11	1	452555	BAGARMS BESLAG	REAR ARM WELDMENT(SIDE ROW)
12	1	451733	STØTTEBESLAG FORREST	U DERRICK WELDMENT
13	1	451734	BESLAG FOR STØTTE	FRONT ARM WELDMENT
14	10	451616	FLANGEBOLT M5X16-18TX3/4	FLANGE BOLT5/16-18TX3/4
15	4	451712	BESLAG	U-SHAPED CLAMP
16	1	439591	JUSTERBOLT	ADJUSTING PIN
17	1	452556	LØFTESTANG	LIFTING PULL ROD(SIDE ROW)
18	2	451640	BOLT M6X16	TAPPING SCREWM6*16
19	1	451736	BESLAG	SPRING HANGING PLATE TTM86, ELECTROPLATI
20	1	439503	GREB	HANDLE
21	1	451737	JUSTERINGSBESLAG	RATCHET PLATE
22	1	451738	LØFTEFJEDER	LIFTING HELPING SPRING
23	1	440908	SPLIT	HAIR PIN COTTER 3
24	1	403342	SKIVE 4	WASHER
25	1	440902	FJEDER HØJRE	TORSIONAL SPRING R
26	1	451739	LØFTESTANG	LEVEL WELDMENT
27	1	439532	LÅSERING 8	RETAINER RING 15
28	2	439553	BØSNING	HEXAGON BUSHING
29	1	451740	LØFTEARM	DECK LIFT SHIFT ASSEMBLE
30	2	451741	JUSTERINGSBOLT	PIN JOINT, ELECTROPLATED
31	1	452557	JUSTERINGS ARM VENSTRE	REAR LEFT ADJUSTING LEVER
32	1	452558	JUSTERINGS ARM HØJRE	REAR RIGHT ADJUSTING LEVER TTM86S,ELECTR

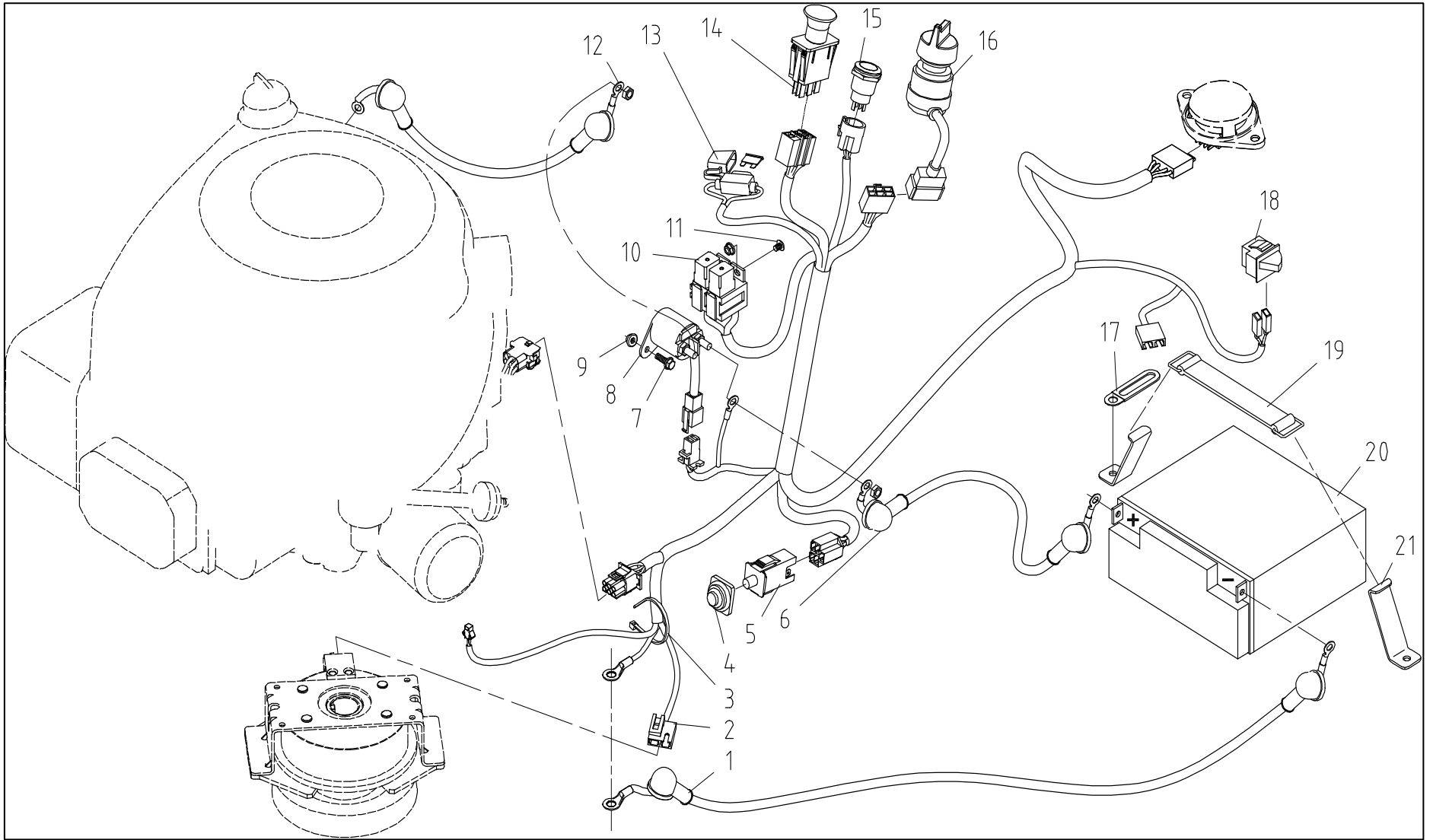


POS	QTY	PARTNUMBER	BESKRIVELSE	DESCRIPTION
1	1	452559	REMSKÆRM HØJRE	BELT COVER RIGHT TTM98S/108S,BIG
2	6	451613	SKRUE 6,3X11,5	HEXAGON HEAD TAPPING SCREW6.3X11.5
3	7	439622	SKRUE M6X16	SCREW M6×16
4	5	439509	MØTRIK M6	BUCKLE NUT M6
5	2	439478	FJEDERSPLIT	COTTER PIN
6	2	436590	SKIVE M10	WASHER
7	1	452560	STANG Ø8X168	PIN Ø8×168
8	1	452561	FJEDER	TORSION SPRING
9	2	451620	HJULAKSEL	WHEEL AXLE
10	2	452562	HJUL	WHEEL
11	3	449501	LÅSEMØTRIK M8	FLANGE LOCK NUT M6
12	1	452563	OPHÆNG	HINGE
13	7	449501	LÅSEMØTRIK M8	FLANGE LOCK NUT M6
14	1	452564	SKÆRM HØJRE	RIGHT SHIELD
15	2	439474	AFSTANDSSTYKKE	FLANGE LOCK NUT M10×1.25
16	1	439500	BØS	BUSHING
17	2	439613	VASKESTUDS	WATER NOZZLE
18	2	439612	SKIVE 11.2X2.65	O RING 11.2×2.65
19	1	449506	BOLT M10X1.25X40	" FLANGE BOLT M10×1.25×40
20	1	452566	BESLAG	CUT TENTION ARM ASSEMBLY
21	1	439487	BØS	TENTION PULLEY BUSHING
22	1	436575	REMSKIVE	TENSION PULLEY
23	1	439474	AFSTANDSSTYKKE	FLANGE LOCK NUT M10×1.25
24	1	436577	KLIPPEREM 48X900	V BELT
25	1	452567	STANG	CLUTCH BELT STOP ROD SOLDER
26	3	403226	FLANGEMØTRIK M6	COLLAR NUT M8
27	1	452568	REMSKÆRM VENSTRE	LEFT GUARD TTM98S/108S,BIG
28	1	439495	REMSKIVE	IDLENESS PULLEY
29	1	439496	BØS	BUSHING
30	1	439497	SKIVE 17.3X55X4	WASHER 17.3×55X4
31	1	439622	SKRUE M6X16	SCREW M6×16
32	1	452569	SKÆRM VENSTRE	LEFT SHIELD
33	1	439501	BOLT	IDLENESS PULLEY SHAFT
34	1	436576	FJEDER	SPRING
35	1	451615	JUSTERINGSSKRUE	ADJUSTING SCREW ROD
36	1	452570	KLIPPEBORD	DECK WELDMENTSIDE BLACK SPRAY MOLDING
37	2	439615	MØTRIK M16	NUT FOR BLADE AXLE
38	2	439616	REMSKIVE	PULLEY
39	2	439617	NOT	FLAT KEY C6×18
40	2	439618	KNIVAKSEL	BLADE SPINDLE
41	2	440944	LEJE	HOOD, BEARING
42	4	436583	LEJE 6203-2RZ	BEARING 61904-2RZ
43	2	439619	LEJEHUS	BLADE SEAT
44	2	436587	SEEGERRING Ø24	SNAP RING 19
45	2	449521	LEJE	HOOD, BEARING
46	2	409860	NOT HALVCIRKEL	HALFMOON KEY

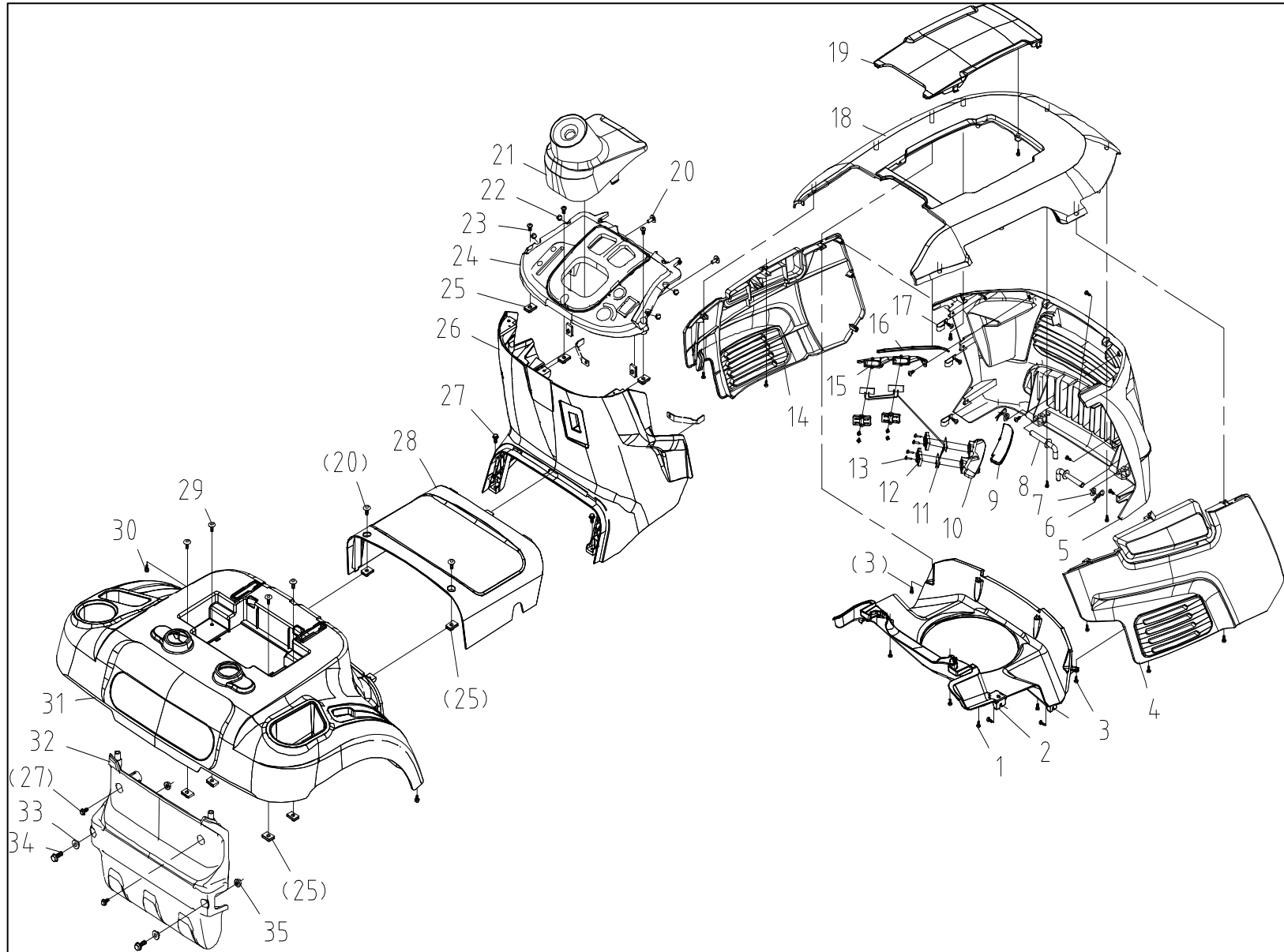
POS	QTY	PARTNUMBER	BESKRIVELSE	DESCRIPTION
47	2	436588	KNIVHOLDER	SLEEVE
48	1	439621	AKSEL	STUD SCREW
49	1	403215	SKIVE Ø5	WASHER M6
50	2	439472	BOLT M8X20	BOLT M8×20
51	2	452571	PLADE (FORSTÆRKNING)	DECK DISC REINFORCEMENT PLATE
52	8	449511	BOLT M6X16	FLANGE BOLT M10×1.25×25
53	2	465083	KNIV	BLADE
54	2	436591	SKIVE	SAUCER WASHER
55	2	436590	SKIVE M10	WASHER
56	2	436589	KNIVBOLT	BOLT 3/8-24UNF
57	1	429739	PLADESKRUE MED PANHOVED OG POZIDRIVE 4,8X14	ST SCREW 4.8X13
58	2	439472	BOLT M8X20	BOLT M8×20
59	1	439472	BOLT M8X20	BOLT M8×20
60	1	452572	LÅSESTIFT	SELF LOCKING PIN TTM86S
61	1	452573	FJEDER	SELF LOCKING TORSION SPRING TTM86S
62	1	452574	BESLAG	SELF LOCKING BUCKLE TTM86S, RAL3020
63	1	452575	BASE	SELF LOCKING BASE TTM86S, BLACK
64	1	452576	UDKASTERSKÆRM	DISCHARGE CHUTE



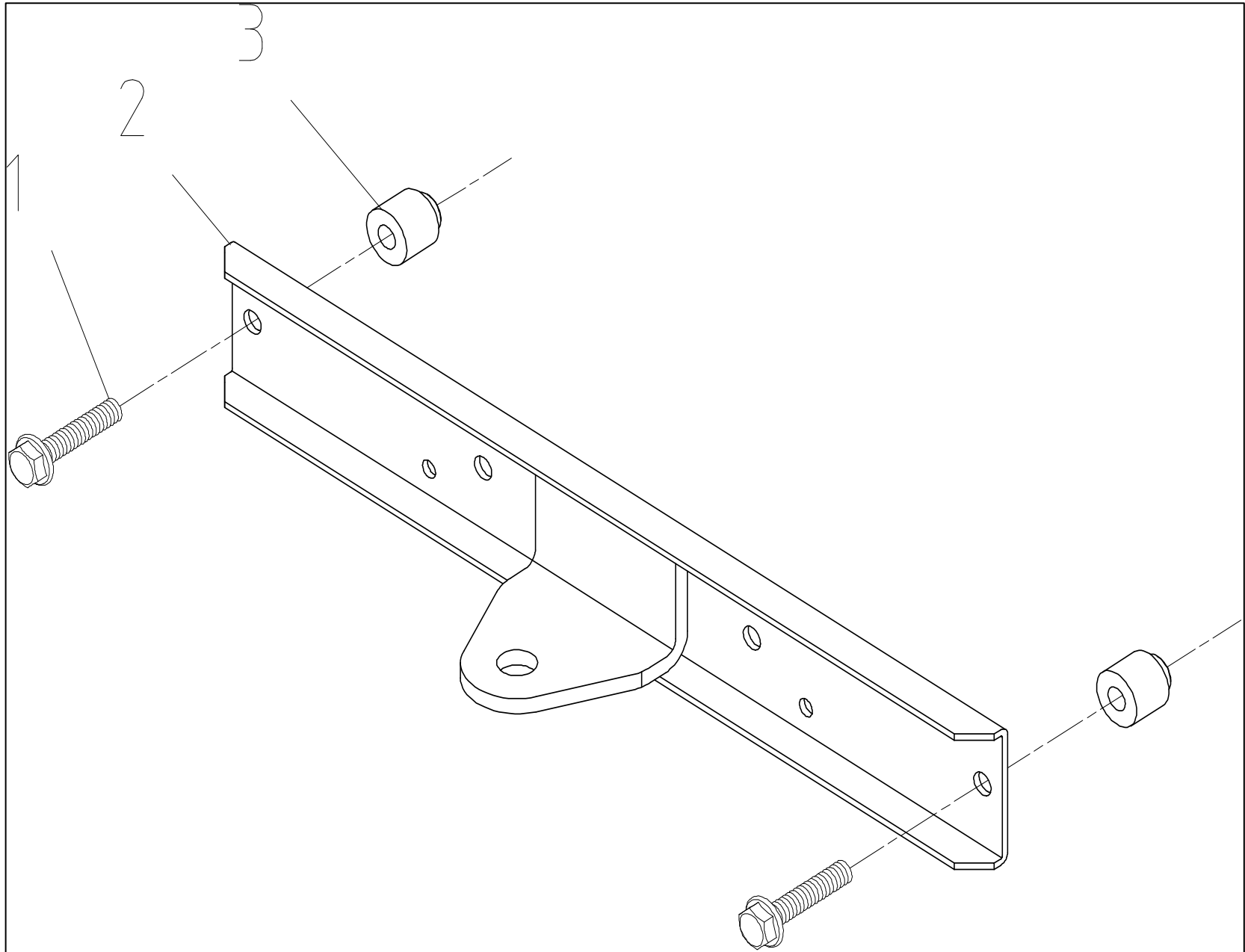
POS	QTY	PARTNUMBER	BESKRIVELSE	DESCRIPTION
1	2	439492	SKRUE M6X20	SCREW M6×20
2	1	451786	GRÆSOPSAMLER FRONT	FRONT GRASS COLLECTOR
3	2	451787	BØS 6*10*48	SPACER 6*10*48
4	11	449501	LÅSEMØTRIK M8	FLANGE LOCK NUT M6
5	1	451788	OPSAMLER BAG	REAR GRASS COLLECTOR
6	2	451789	LÅSEPAL	LOCK KNOB
7	1	451790	PROP	CORE PLUG
8	1	439492	SKRUE M6X20	SCREW M6×20
9	1	440587	GREB	HANDLE
10	1	440588	STANG	LEVER
11	1	452577	AFDÆKNING	SEALING WOOL TTM86
12	1	451792	TOPDÆKSEL	COVER
13	1	451793	TOP RAMME	GRASS COLLECTING FRAME FRONT SUPPORT WEL
14	1	451794	PLADE	HANDLE DECPRATIVE PLATE
15	6	451784	SKRUE ST4.8X16	TAPPING SCREW ST4.8X16
16	8	451795	BOLT M6X35	HEXAGON BOLT M6X35
17	1	451796	RAMME UNDERDEL	GRASS COLLECTING FRAME STATE SUPPORT WEL
18	2	451797	SIDESTAGSRØR	SIDE STAY PIPE
19	1	451798	GRÆSFANGER BUND+NET	GRASS CATCHER(BOTTOM +CATCHER)
20	4	451784	SKRUE ST4.8X16	TAPPING SCREW ST4.8X16



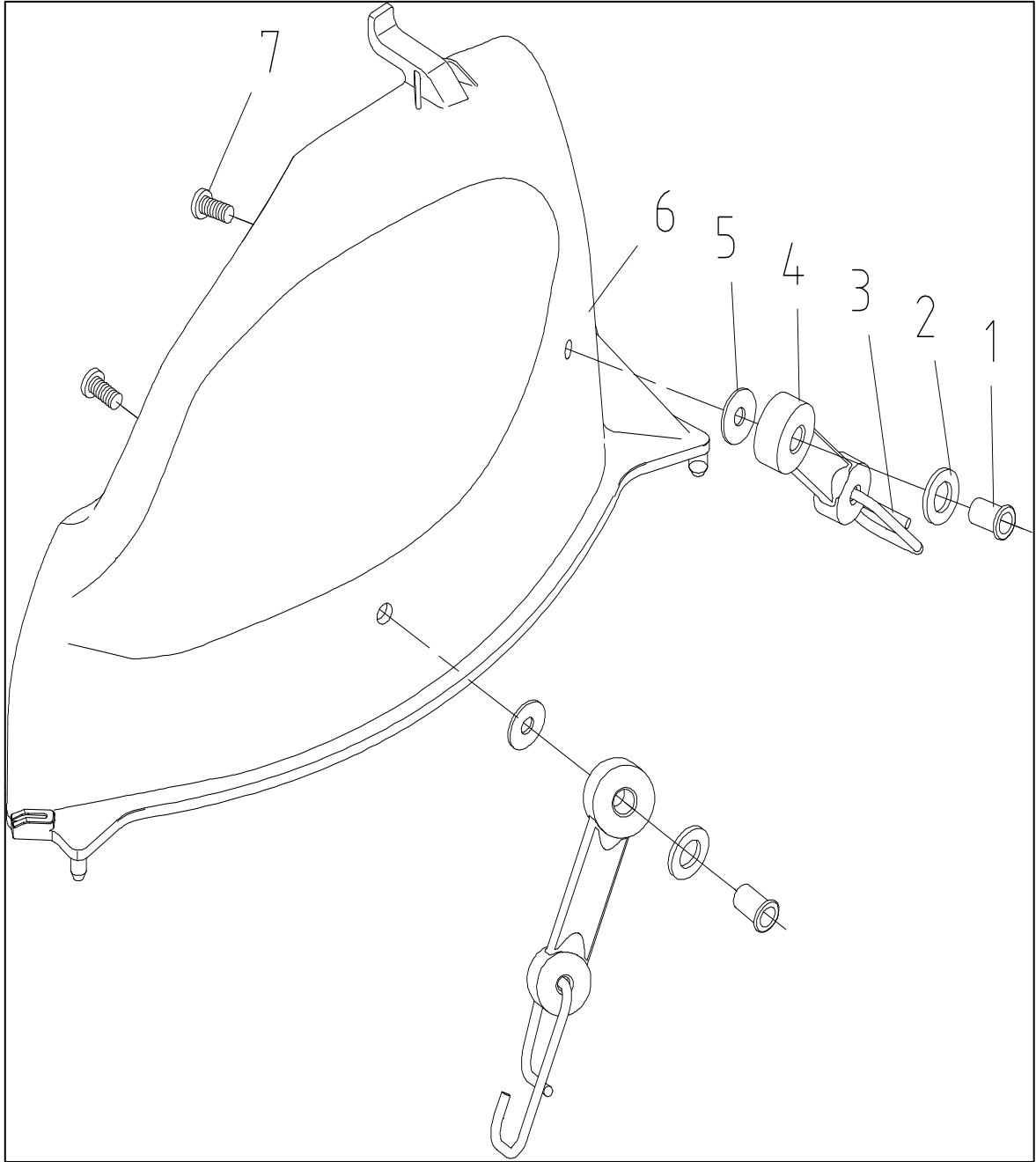
POS	QTY	PARTNUMBER	BESKRIVELSE	DESCRIPTION
1	1	451758	KABEL	GROUND CABLE
2	1	452578	LEDNINGSNET	ELECTRIC CABLE (ELECTRIC START)
4	1	452579	HÆTTE FOR KONTAKT	COVER, SWITCH
5	1	452580	TÆND/SLUK KONTAKT	SWITCH, PLUNGER
6	1	439672	LEDNING	BATTERY CABLE
7	2	439441	BOLT M8X45	FLANGE BOLT M10×1.5×35
8	1	439660	RELÆ	STAR RELAY
9	3	449501	LÅSEMØTRIK M8	FLANGE LOCK NUT M6
10	2	452581	RELÆ	RELAY YAP23H-12-HR
11	1	452582	BOLT M5X12	SCREW M5×12
12	1	439661	LEDNING	POWER CABLE
13	1	436594	SIKRING	FUSE
14	1	451748	KONTAKT FOR KOBLING	SWITCH, PTO
15	1	452583	KONTAKT	SWITCH
16	1	451750	KONTAKT INKL. NØGLE	ELECTRIC DOOR LOCK
17	1	452584	KLEMME	WIRE CLAMP
18	1	451751	KONTAKT	SWITCH
19	1	449527	BATTERIHOLDER TOP	BELT
20	1	440968	BATTERI 12V/18AH	BATTERY
21	2	451757	BESLAG	HOOK



POS	QTY	PARTNUMBER	BESKRIVELSE	DESCRIPTION
1	27	439626	SKRUE ST4.8X16	SCREW ST4.8×16
2	1	451762	LUFTINDTAG	AIR DIRECTOR
3	2	439626	SKRUE ST4.8X16	SCREW ST4.8×16
4	1	451763	FRONT SKÆRM HØJRE	RIGHT SIDE COVER
5	1	451764	FRONT COVER	FRONT COVER
6	2	439478	FJEDERSPLIT	COTTER PIN
7	2	436590	SKIVE M10	WASHER
8	2	451765	STANG	PIN
9	1	451766	LYS COVER HØJRE	RIGHT LIGHT COVER
10	1	451767	LYSBASE HØJRE	RIGHT LIGHT BASE TTM86,BRIGHT SILVER PLA
11	1	451768	PÆRE	LIGHT
12	4	451769	LYSBASE COVER HØJRE	LAMP BASE COVER TTM86, BLACK
13	8	439626	SKRUE ST4.8X16	SCREW ST4.8×16
14	1	451771	FRONT SKÆRM VENSTRE	LEFT SIDE COVER
15	1	451770	LYGTEBASE VENSTRE	LEFT LIGHT BASE
16	1	451772	LYS COVER VENSTRE	LEFT LIGHT COVER
17	4	415950	BESLAG	CORD SPLINT
18	1	451773	MOTOR COVER	ENGINE COVER
19	1	451774	LUFTINDTAG COVER	ENGINE COVER AIR INTAKE
20	4	439622	SKRUE M6X16	SCREW M6×16
21	1	451775	RAT COVER	STEERING WHEEL COVER
22	4	451776	ANTI-VIBRATION GUMMI	HANDLE ANTI-VIBRATION RUBBER
23	3	449498	SKRUE M4X16	SCREW M4×16
24	1	451777	PANEL	PANEL
25	11	439509	MØTRIK M6	BUCKLE NUT M6
26	1	451778	SKJOLD	SHIELD
27	4	451640	BOLT M6X16	TAPPING SCREWM6*16
28	1	451779	VEDLIGEHOLDELSESDÆKSE L	MAINTENANCE COVER
29	4	439622	SKRUE M6X16	SCREW M6×16
30	2	451784	SKRUE ST4.8X16	TAPPING SCREW ST4.8X16
31	1	452585	DÆKSEL BAGERST	SIDE DISCHARGE REAR SEAT
32	1	452586	DÆKSEL FOR GEARKASSE	GEAR BOX COVER
33	2	451643	SKIVE Ø8X18X33	BUSHING
34	2	439441	BOLT M8X45	FLANGE BOLT M10×1.5×35
35	2	449501	LÅSEMØTRIK M8	FLANGE LOCK NUT M6



POS	QTY	PARTNUMBER	BESKRIVELSE	DESCRIPTION
1	2	449511	BOLT M6X16	FLANGE BOLT M10×1.25×25
2	1	452600	PLADE FOR TRÆK	HITCH
3	2	452588	AFDÆKNING	BUSHING



POS	QTY	PARTNUMBER	BESKRIVELSE	DESCRIPTION
1	2	439655	MØTRIK M6X13.5	NUT M6×13.5
2	2	439465	SKIVE 10	BIG WASHER 6
3	2	439656	KROG	HOOK
4	2	439657	GUMMIBØS	BELT
5	2	439658	SKIVE 6	WASHER 6
6	1	452589	BIOKLIP SKÆRM	MULCH COVER
7	2	449498	SKRUE M4X16	SCREW M4×16